

—Standard Valves—

VALVE TYPE 3A/105-B

LOW NOISE TRIODE.

SPECIFICATION.

Cathode.

Indirectly heated oxide coated.
Constant voltage type.

Base.

British small 4-pin.
Grid connected to top cap type B.

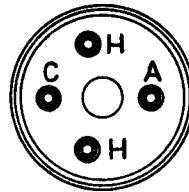
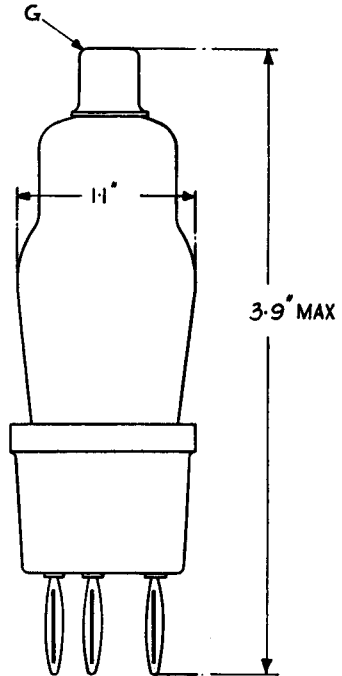
Dimensions.

Maximum overall length 3.9" (9.9 cms.)
Maximum diameter 1.1" (2.8 cms.)

Constants.

Heater voltage	13 volts
Heater current	0.19 amps.
*Amplification factor	40
*Impedance	19,000 ohms
*Mutual conductance	2.1 mA. per volt
Grid-anode capacity	1.5 $\mu\mu\text{F}$.
Grid-cathode capacity	2.4 $\mu\mu\text{F}$.
Anode-cathode capacity	4.5 $\mu\mu\text{F}$.

* at $V_p = 130$ volts, $V_{g_1} = -1.5$ volts.



LIMITING CONDITIONS FOR SAFE OPERATION.

Maximum direct anode voltage	250 volts
Maximum anode dissipation	2.5 watts
Maximum direct anode current	15 mA.

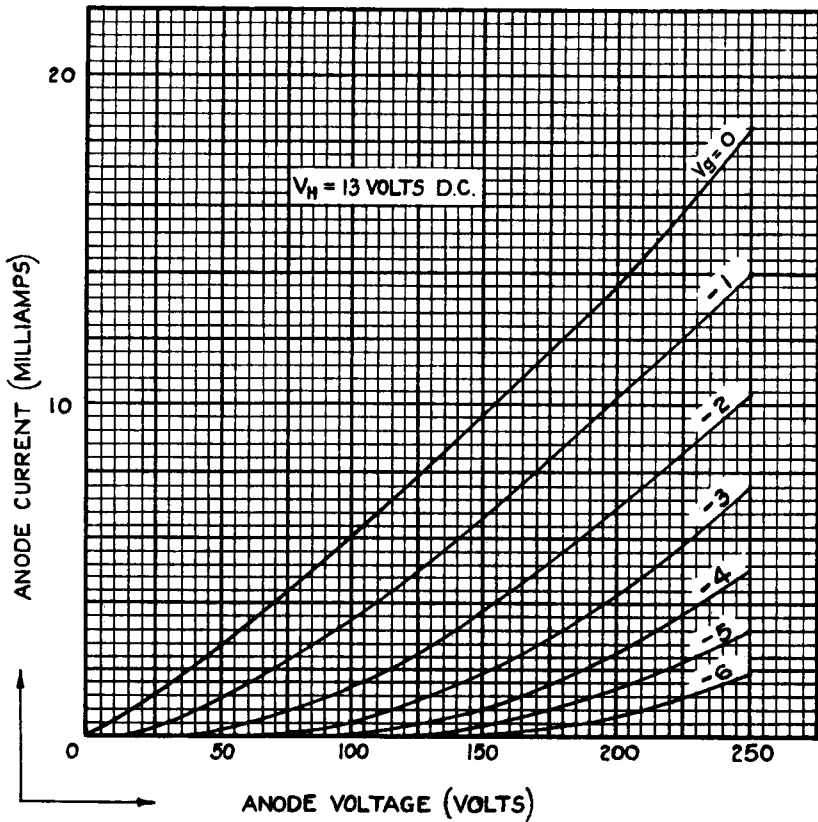
Tentative data

W.3A/105-B.1
April 1939

—Standard Valves—

TYPICAL OPERATING CONDITIONS.

Anode Voltage Volts	Grid Bias Volts	Load Resistance Ohms	Output mW.	Total Harmonics db
130	—1	9,000	3	26
150	—1.5	11,000	3	29
200	—2	14,000	5	30
200	—2	14,000	15	25
250	—2.5	18,000	5	32
250	—2.5	18,000	30	27



PM 442

PRINTED IN ENGLAND